



Louvre Specifications

Louvre System Components

01. Louvre windows shall be Kool Vu as manufactured by Australia Pacific Louvre Pty Ltd.

02. Louvre channel frame shall be in extruded architectural grade 6063 T5 aluminium.

New Clips

03. Blade holding clips are moulded from high impact polypropylene with low melt index, UV stabilised and further enhanced with light stabiliser.

04. Multiple of clips shall be smoothly aligned without protruded ledges when the clips are in closed position.

05. Pivoting bearings shall be cold forged aluminium, forged to form extended studs for riveting to extruded 6061 T6 aluminium pantograph operating bars.

New Handle

06. Handles shall be high tensile strength 304 grade stainless steel for added strength and attached to the toggle bars and operating bars with stainless steel rivets.

07. Louvre window system shall comply with AS2047 for water and air infiltration and SS 215 cyclic test for 20,000 lock and unlock cycles.

08. Height of louvres and handles positions shall be as per Kool Vu standard tables unless otherwise specified.

Louvre Lock

09. When required a push lock can be fitted to the handle with key removeable function when in locked position.

Louvre Blades

10. Glass blades and aluminium blades shall be 102mm wide x 6mm thick and 152mm wide x 6mm thick suited for 102mm glass clip and 152mm class clip respectively.

11. Timber blades shall be 102mm wide x 13mm thick and 152mm wide x 13mm thick suited for 102mm timber clip and 152mm timber clip respectively using a 6mm adapter / reducer.

12. Length of blades must conform to AS 1288, industry practice or manufacturer's recommendation.

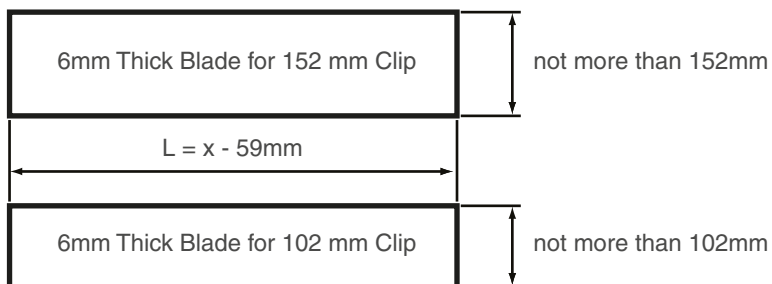
Louvre Frames

13. All profile framing surrounds systems such as mullions, transoms, beadings, weather bars, gaskets must facilitate the louvre system to fit-in so as to achieve the required performance of the window system.

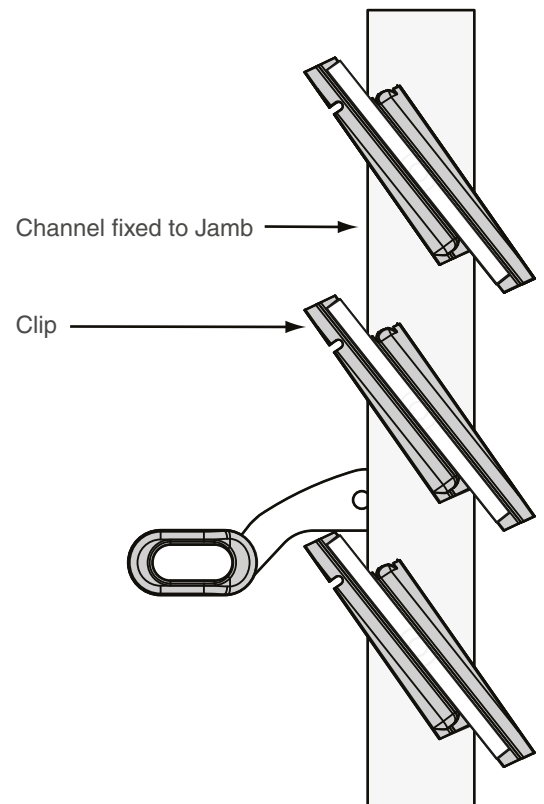
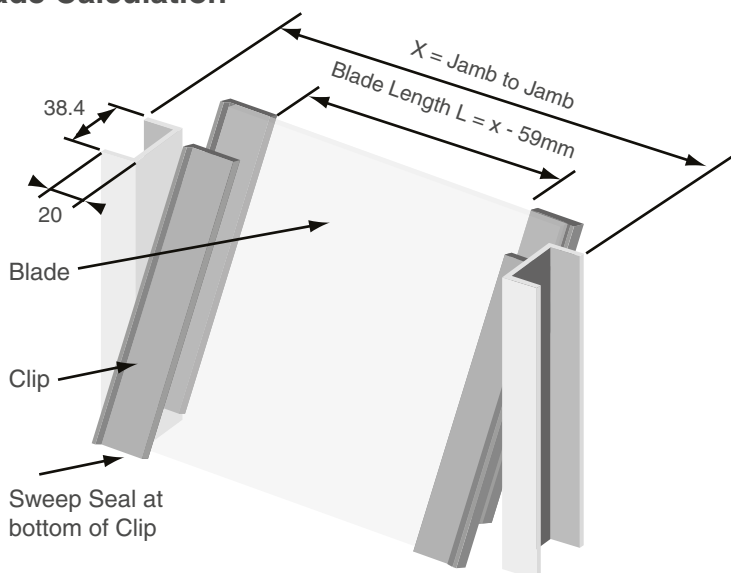


102 & 152mm Glass & Aluminium Clip

Louvre Sets Standard Heights: Basic Installation Guide



Blade Calculation



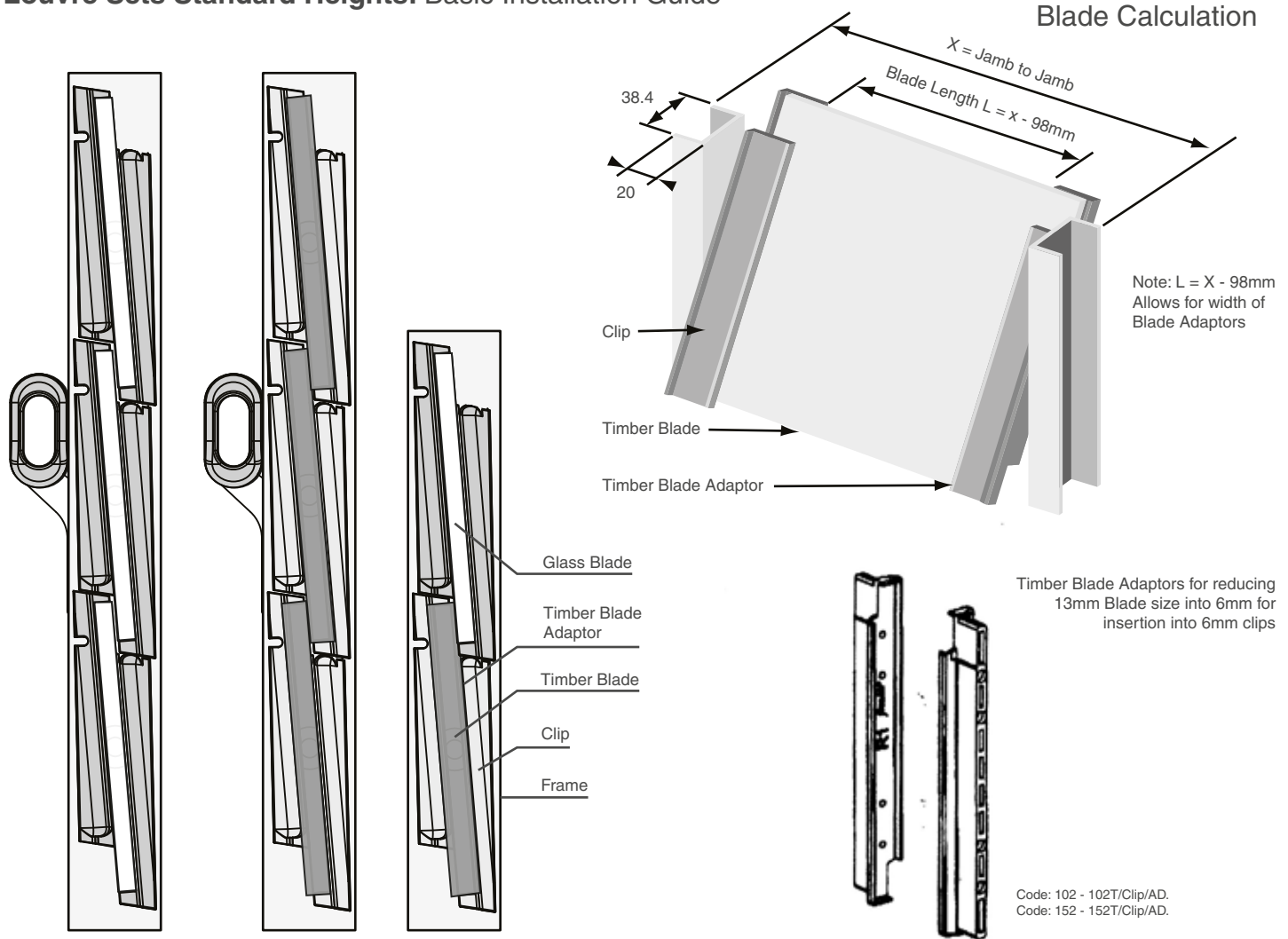
7/10-02





102 & 152mm Timber Clip

Louvre Sets Standard Heights: Basic Installation Guide



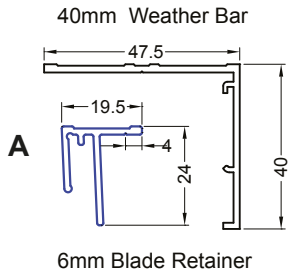
7/10-03



Installation Instructions for Non Standard Sets

For Fixed Top Blade applications when in between standard heights are necessary.

Louvre Sets are supplied with 'Floating Top Clips' (FTC) which allow for being cut down to required height and the clip/blade can be fixed in position.



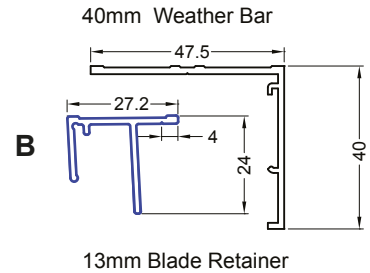
6mm Blade Retainer

A. Blade Retainer - 6mm Glass or Aluminium Blade

Cut the Blade Retainer to length - jamb to jamb size less 89mm.

B. Blade Retainer - 13mm Timber Blade

Cut the Blade Retainer to length - jamb to jamb size less 104mm.



13mm Blade Retainer

C. Cut blade width **less an additional 5mm** to allow clearance for Blade Retainer height fitment.

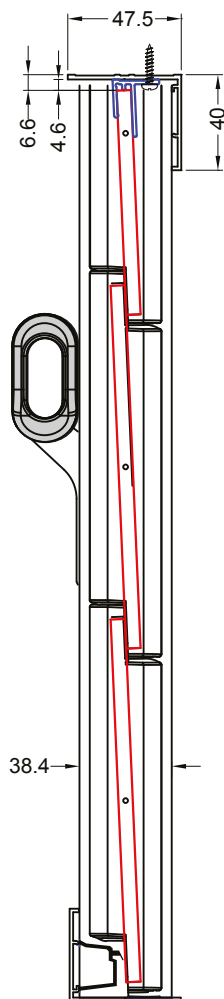
D. Open both Cut Down Clips and **install Blade** into position carefully.

Then slide Blade Retainer over top Blade edge and as far as possible downwards.

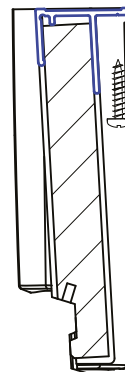
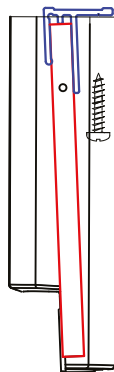
Open the operable Louvre Blades and close firmly then swivel the Blade with Retainer into the vertical position.

E. Push the Blade Retainer up to the window frame head (or Weather Bar if fitted) and ensure it aligns with the 'closed' position on the operable side of the Louvre Set.

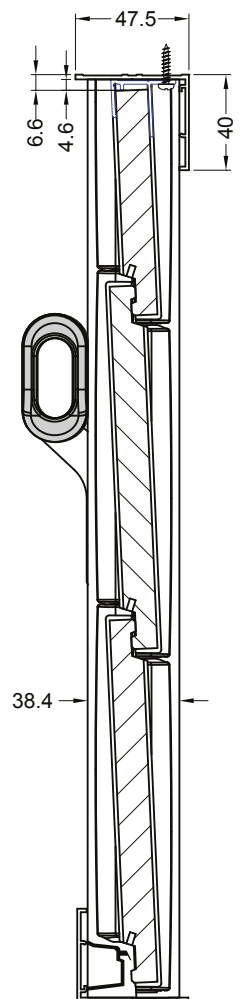
Screw the Blade Retainer to the Frame with 3-6 screws depending upon length.



Cut Down Clip with Retainer Fitted



Cut down Clip with Retainer fitted



Suggested maximum lengths for different blade types

152	Suggested maximum lengths for Blades to suit 152mm Louvre Clips			
Wind Pressure (Pa)	6mm Glass Blades		6mm Aluminium Blade	13mm Timber Blade
	Annealed (mm)	Toughened (mm)	Code: 152 L/BLD Mill or Col. (mm)	Code: T/B 152 CED (mm)
1000Pa	850	900	900	900
1500Pa	700	900	900	900
2200Pa	550	850	850	850
3000Pa	450	750	750	750

6mm 152 Aluminium (top) & 13mm 152 & 102 Aluminium (bottom)



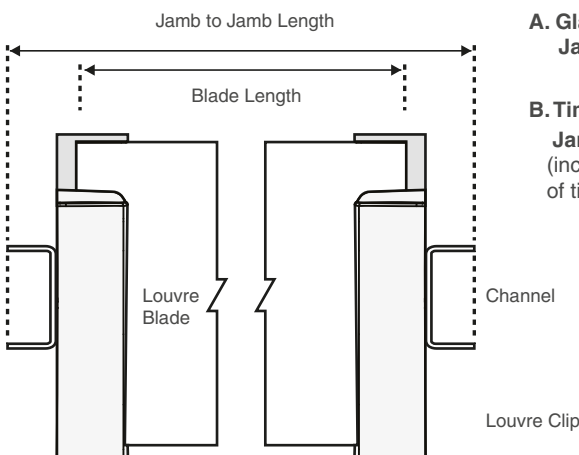
6mm 102 Aluminium (top) & 13mm 152 & 102 Timber (bottom)

102	Suggested maximum lengths for Blades to suit 102mm Louvre Clips			
Wind Pressure (Pa)	6mm Glass Blades		6mm Aluminium Blade	13mm Timber Blade
	Annealed (mm)	Toughened (mm)	Code: 102 L/BLD Mill or Col. (mm)	Code: T/B 102 CED (mm)
1000Pa	700	750	750	750
1500Pa	550	750	750	750
2200Pa	450	700	700	700
3000Pa	400	600	600	600

Suggested maximum length of blades have been calculated using Australian Standard 1288 and Kool Vu experience. Note: It is important to carefully check prior to installing in volatile or extreme weather condition areas and if unsure always use the shorter sizes indicated if possible.

Blade Cut Length Dimension Formula

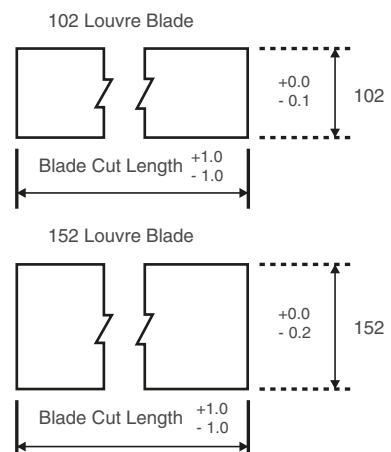
Jamb to Jamb length less dimension shown for A & B



A. Glass & Aluminum Blade
Jamb to jamb less 59mm

B. Timber Blade
Jamb to jamb less 98mm
(includes allowance for width of timber blade adaptors)

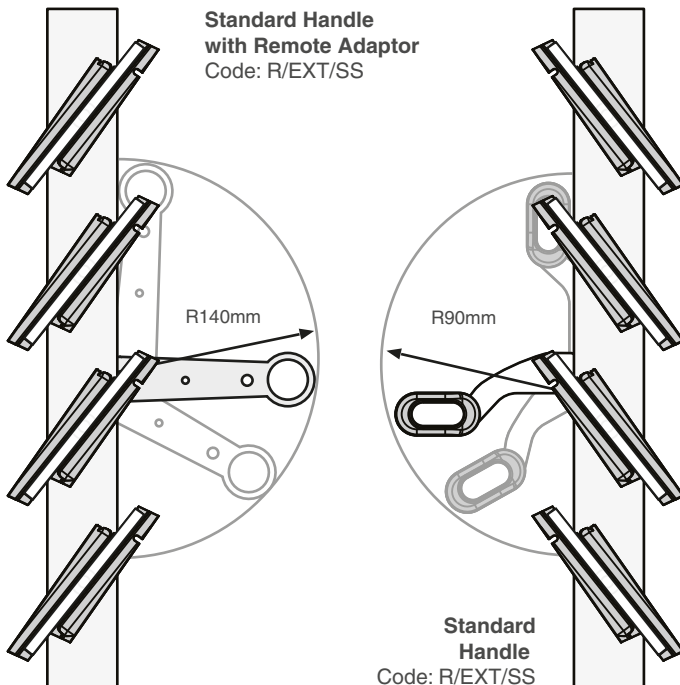
Glass, Aluminium & Timber Louvre Blade Dimensions



Accessories

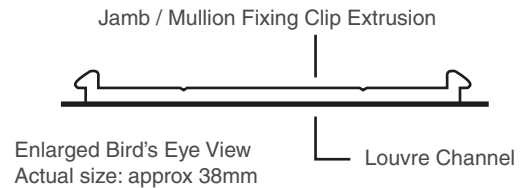
Remote Handle

Connects to Stainless Steel Handle without handle caps.
For Hook Rod, Winch or Motorisation applications.



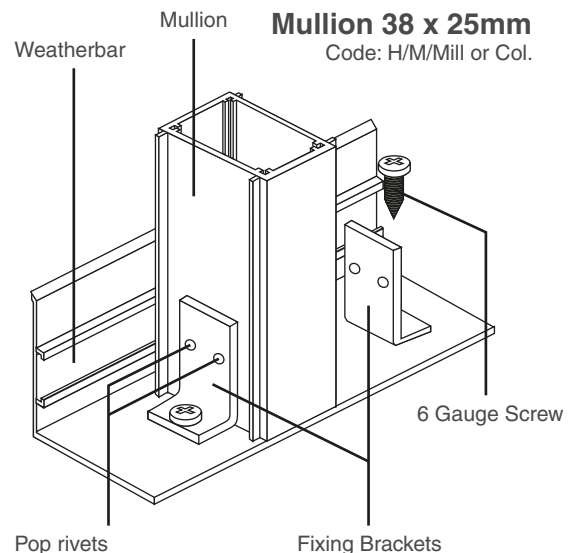
Jamb / Mullion Fixing Clip Extrusion

Allows easy snap on fixing of Louvre Channels -
For residential & commercial window jamb
application without surface or inset lugs for
Louvres



Mullion 38 x 25mm

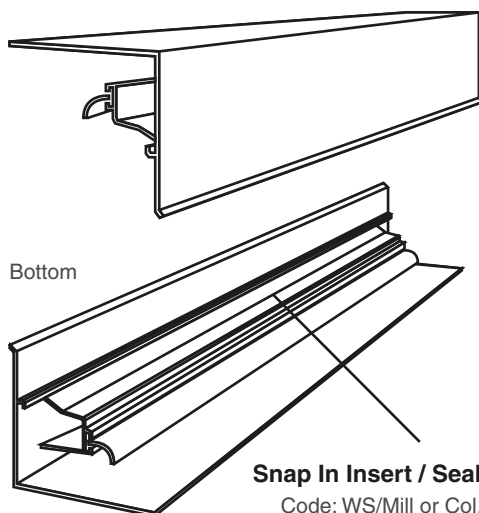
Code: H/M/Mill or Col.



Weatherbar & Snap In Insert/Seal

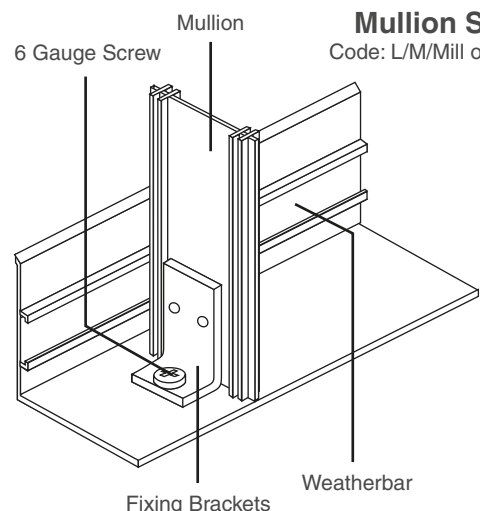
To seal Louvre blades from air and water
at top and bottom of the frame

Top Code: Weatherbar W/BAR40/Mill or Col.

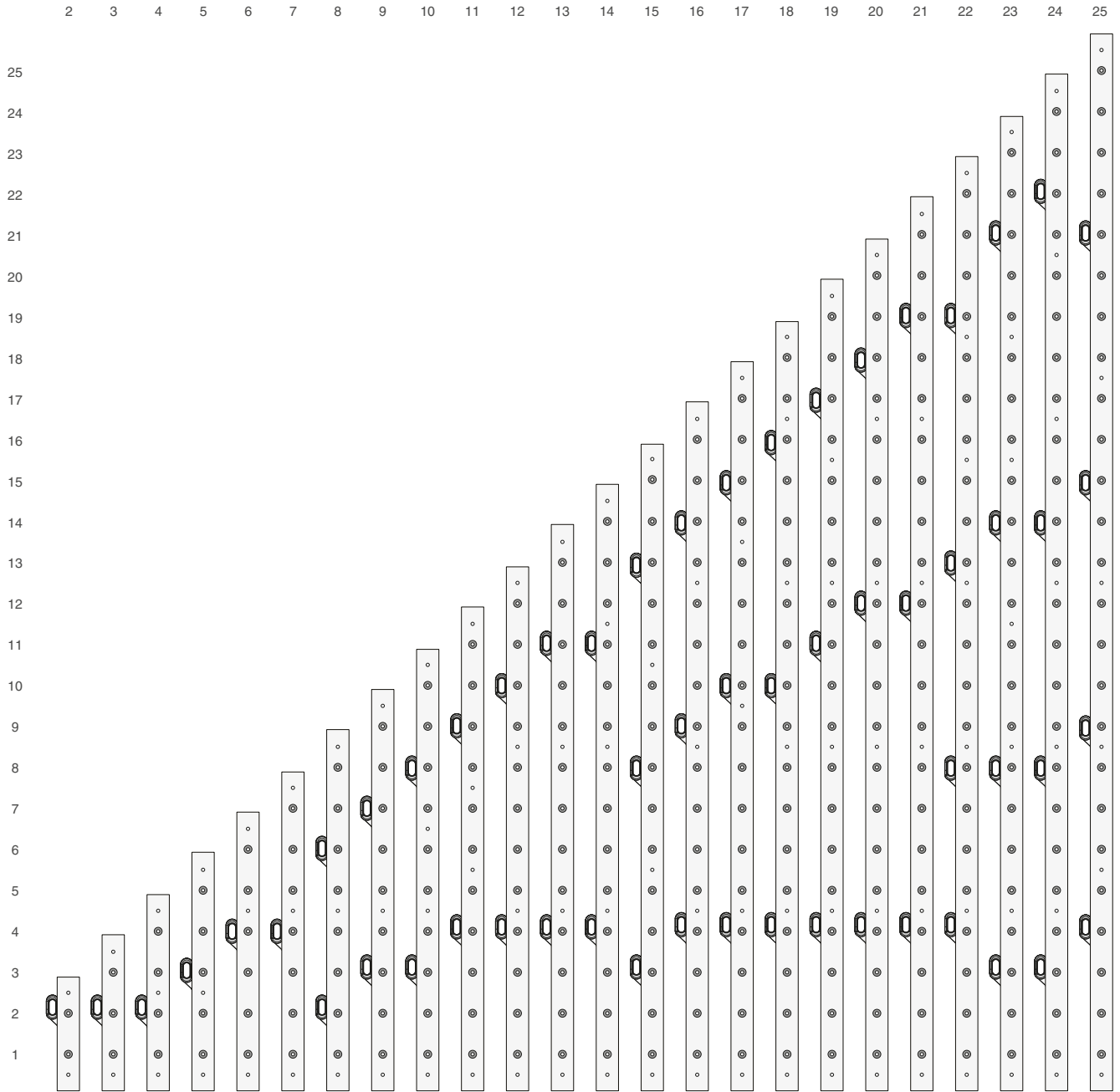


Mullion Strip

Code: L/M/Mill or Col.



152mm Louvre Gallery Height Chart

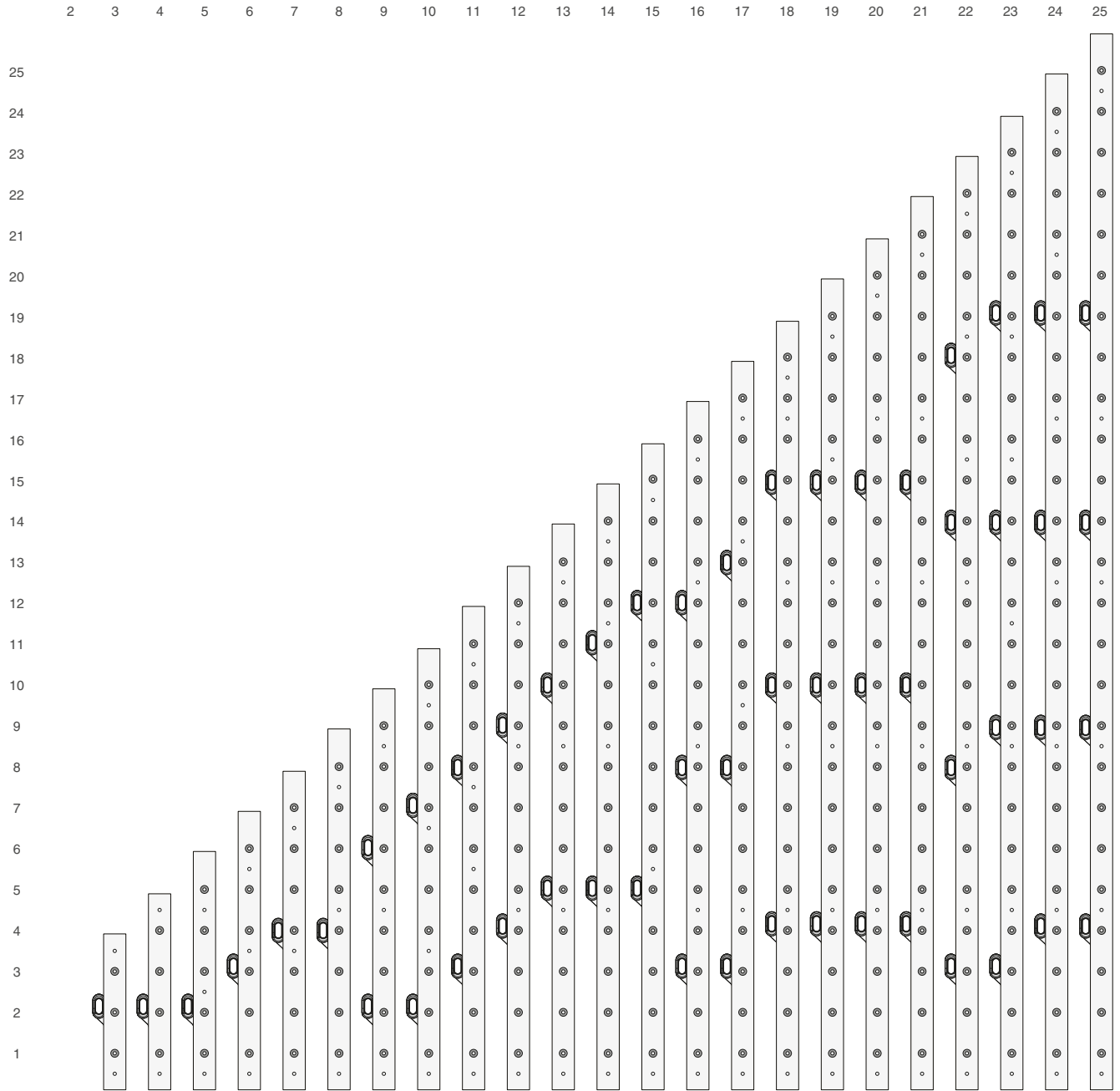


	2	3	4	5	6	7	8	9	10	11	12	13	14	15	16	17	18	19	20	21	22	23	24	25	
Height (mm)	305	445	585	724	864	1003	1143	1283	1422	1562	1702	1842	1981	2121	2261	2401	2540	2680	2820	2960	3099	3239	3378	3518	
Head ↑							4	4	5	5	6	6	7	5	5	5	6	6	6	7	5	5	6	6	
Sill	2	3	4	5	6	7	4	5	5	6	6	7	7	5	5	6	6	6	7	7	7	6	6	6	7

7/10-07



152mm Louvre Gallery Height Chart with Floating Top Clip

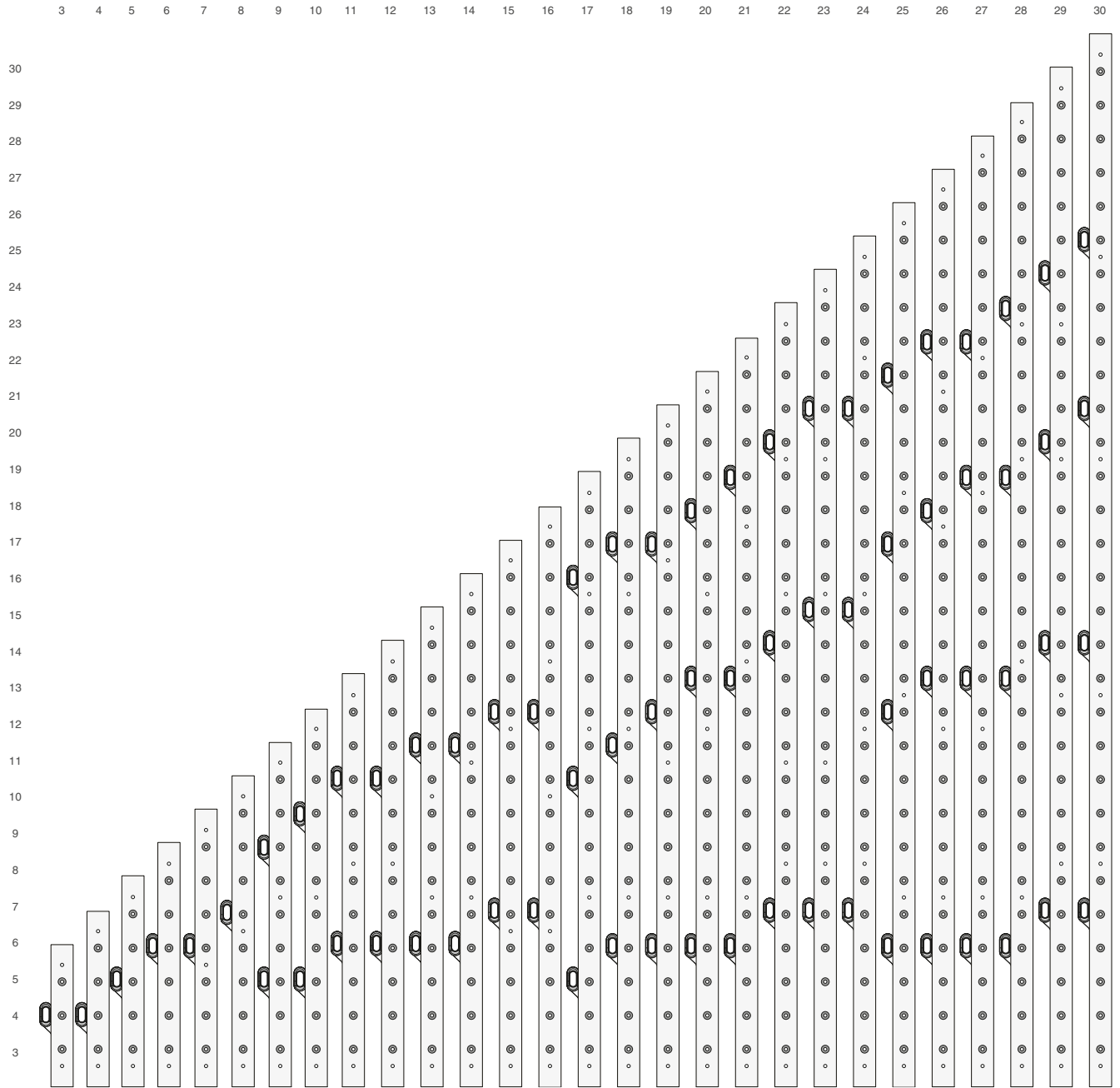


	2	3	4	5	6	7	8	9	10	11	12	13	14	15	16	17	18	19	20	21	22	23	24	25
Height (mm)	n/a	445	585	724	864	1003	1143	1283	1422	1562	1702	1842	1981	2121	2261	2401	2540	2680	2820	2960	3099	3239	3378	3518
Head ↑								4	4	5	5	6	6	7	5	5	6	6	6	6	5	5	5	6
Sill	n/a	2	3	4	5	6	7	4	5	5	6	6	7	7	5	5	6	6	6	7	7	6	6	6

7/10-07-FTC



102mm Louvre Gallery Height Chart

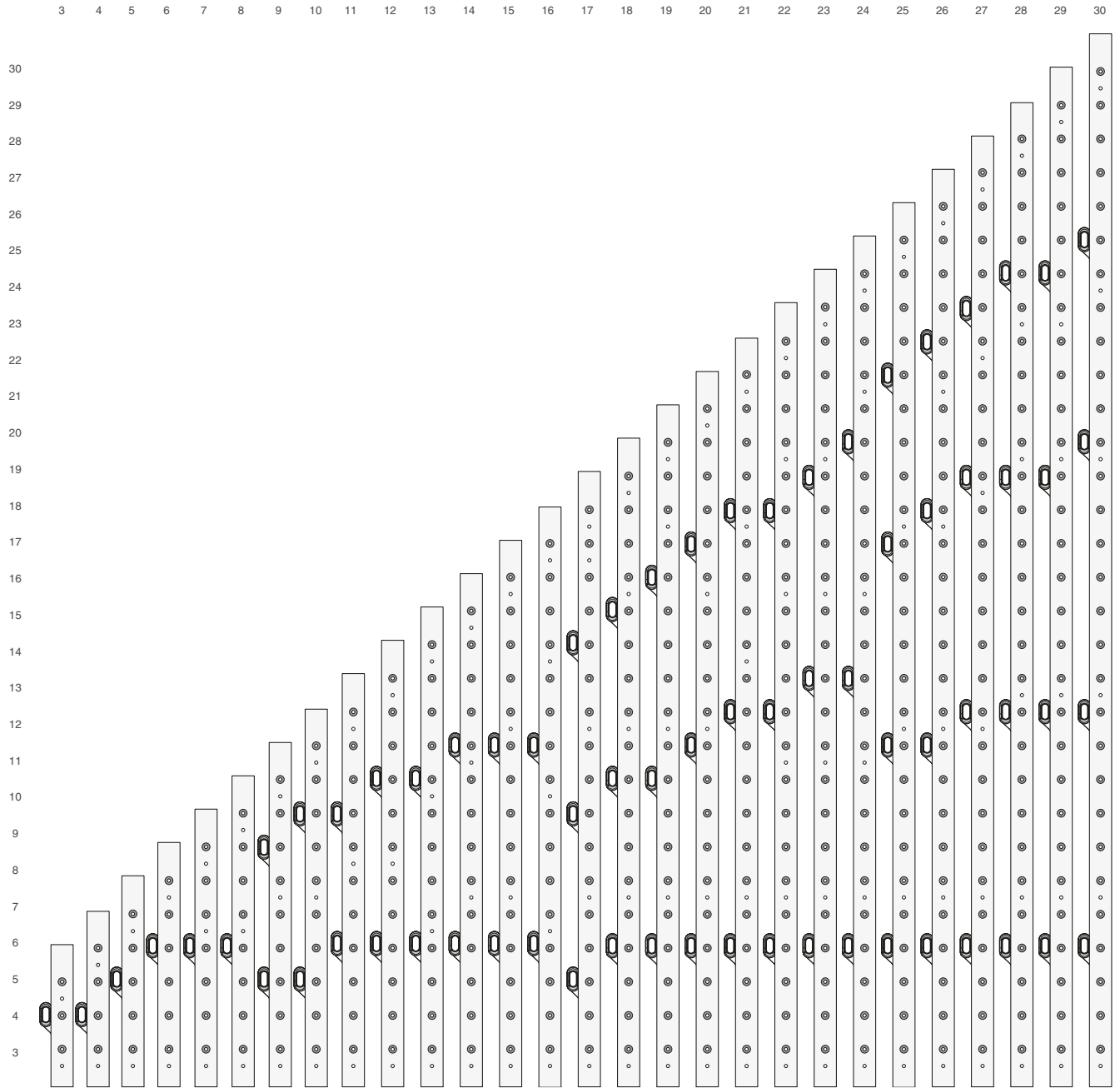


	3	4	5	6	7	8	9	10	11	12	13	14	15	16	17	18	19	20	21	22	23	24	25	26	27	28	29	30	
Height (mm)	292	381	470	559	648	737	826	915	1003	1092	1181	1270	1359	1448	1537	1626	1715	1803	1892	1981	2070	2159	2248	2337	2426	2515	2604	2693	
Head																													
↑							4	5	5	6	6	7	7	8	5	6	6	6	7	7	7	8	6	6	6	7	7	7	7
Sill	3	4	5	6	7	8	5	5	6	6	7	7	8	8	6	6	6	7	7	7	8	8	8	6	7	7	7	7	8

7/10-08



102mm Louvre Gallery Height Chart with Floating Top Clip



Height (mm)	3	4	5	6	7	8	9	10	11	12	13	14	15	16	17	18	19	20	21	22	23	24	25	26	27	28	29	30	
Height (mm)	292	381	470	559	648	737	826	915	1003	1092	1181	1270	1359	1448	1537	1626	1715	1803	1892	1981	2070	2159	2248	2337	2426	2515	2604	2693	
Head																													
↑							4	5	5	6	6	7	7	8	6	6	6	7	7	7	8	6	6	6	7	7	7	7	7
Sill	3	4	5	6	7	8	5	5	6	6	7	7	8	8	6	6	7	7	7	8	8	8	7	7	7	7	8	8	8

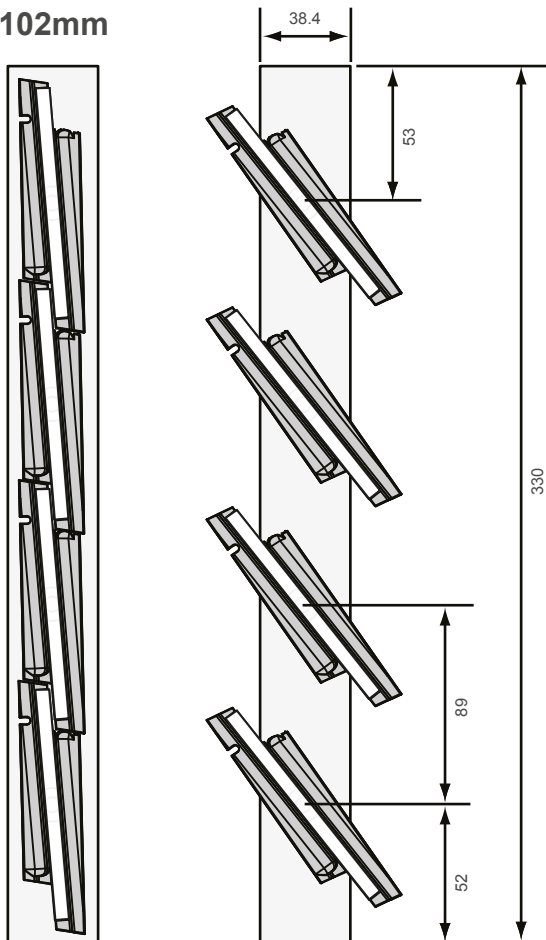
7/10-08-FTC



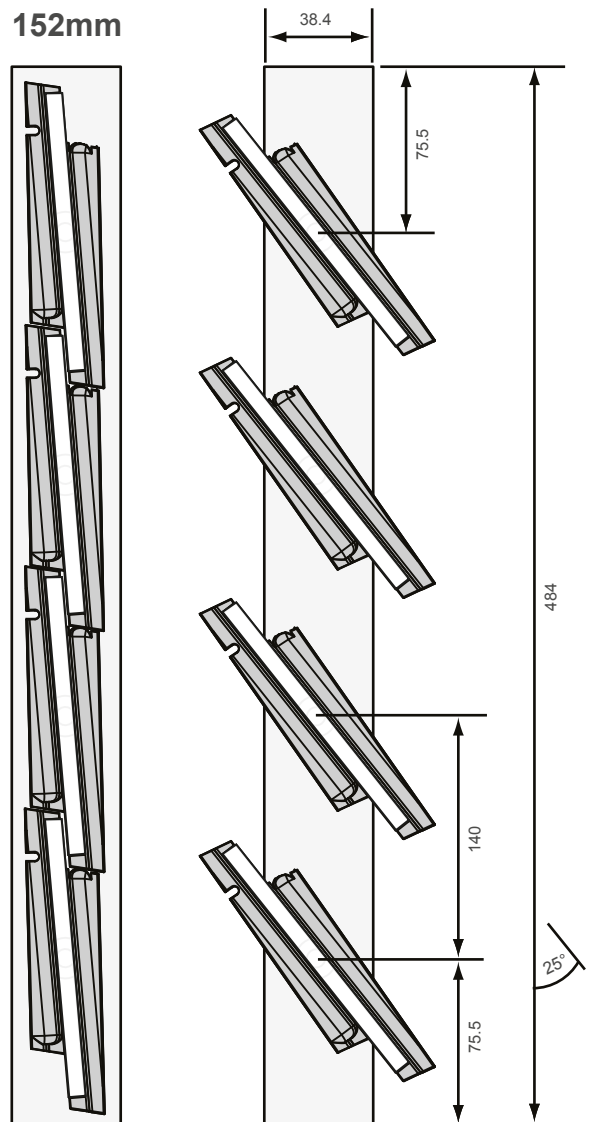


Fixed Clip Louvres

102mm



152mm



7/10-09



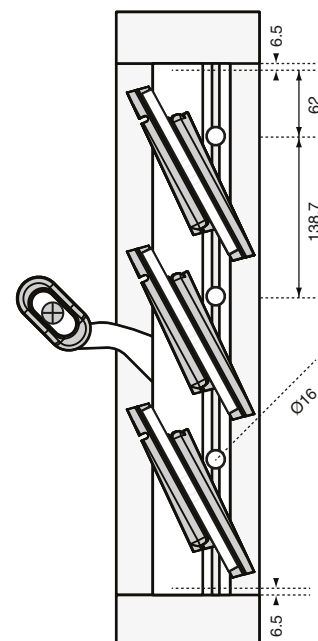
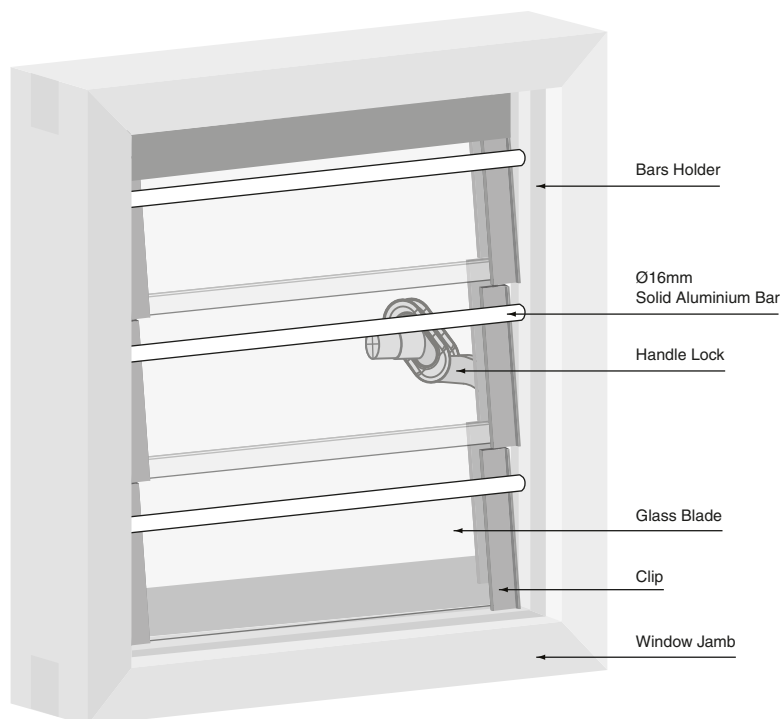


Security bar holder & burglar bars with handle lock option

Security Locks

Lock Handles in closed position

- Chrome finished push Lock
- Surrounded by attractive moulding
- Supplied with 2 keys & keeper
- Can be retro-fitted





Louvre Maintenance Recommendations

Maintenance after installation completed

- Inspection and lubricating is suggested to be carried out 6 monthly, or varied to a shorter time depending upon the location, and environmental conditions.

Inspection

- Check all screws are secure and in position.
- Inspect all points of linkages and clips are in position.
- Check that all louvre blades open and close correctly.
- Check that seals are in place.

Cleaning

- Use a chamois with mild detergent to clean louvre glass holding clips, aluminium channel, handles, linkages and surround frame. Do not allow water entry into internal mechanism via the handle aperture. Rinse with clean water.
- Clean glass blades with any recognised window cleaner solution.
- Do not use cleaning agents with a caustic base or abrasive products which may effect the surface on a long term basis. Surface finishes are: Anodized to 25µm or Polyester powder coating to standard colour charts.

Lubrication

- The louvre internal operating mechanism is pre-lubricated prior to assembly with a non-migrating lubricant, and is satisfactory for the life of the window.
- If it is necessary to lubricate the internal handle connecting joints, then use either a light machine oil or a clear lubricant, e.g. silicone, to all handle and connecting link pivots as required.
- To maintain a smooth surface face of the extruded and anodized or polyester powder painted louvre channel section, apply and wipe over with “car polish” which will help maintain lustre finish.
- All mechanisms should be free and smooth to operate, with all louvre blades opening and closing firmly together. Adjust if necessary.

Timber louvre blades

- All timber blades should be sealed with a lacquer or paint to suit the location where louvres are installed, e.g. interior / exterior. Always remember as timber is a natural product, grain and colour variation will occur when a clear lacquer or oil is used.

Locks

- The handle lock is designed to be maintenance free, however, if the need arises that the lock has to be replaced due to a malfunction, contact your louvre installer.

